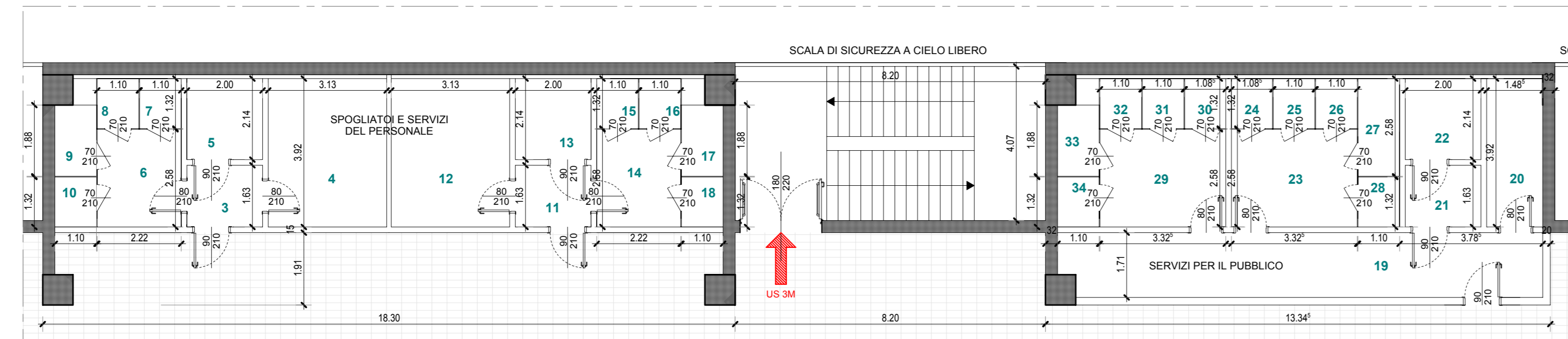
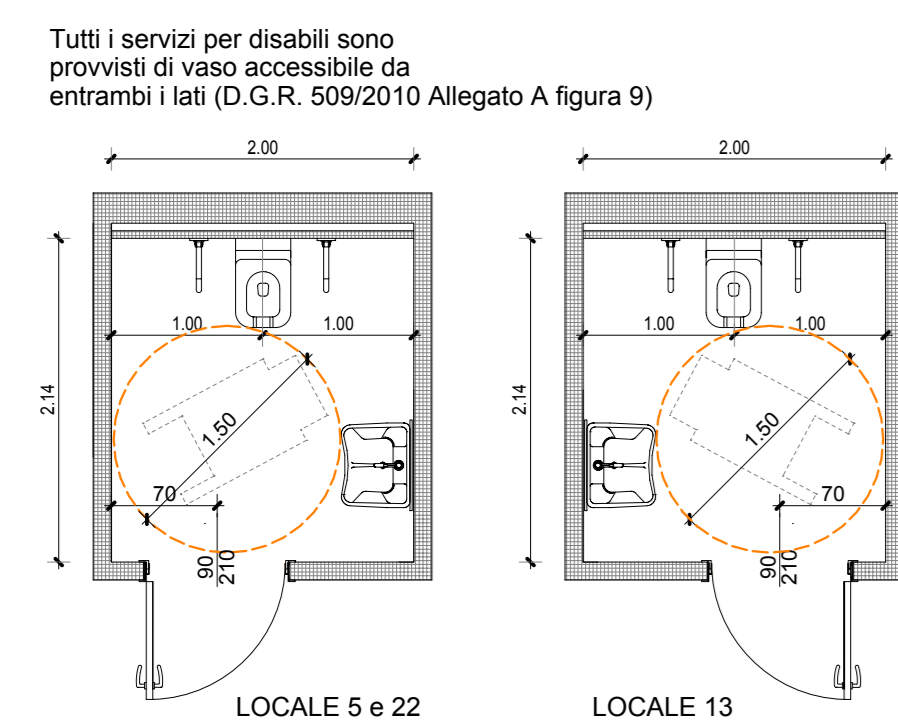
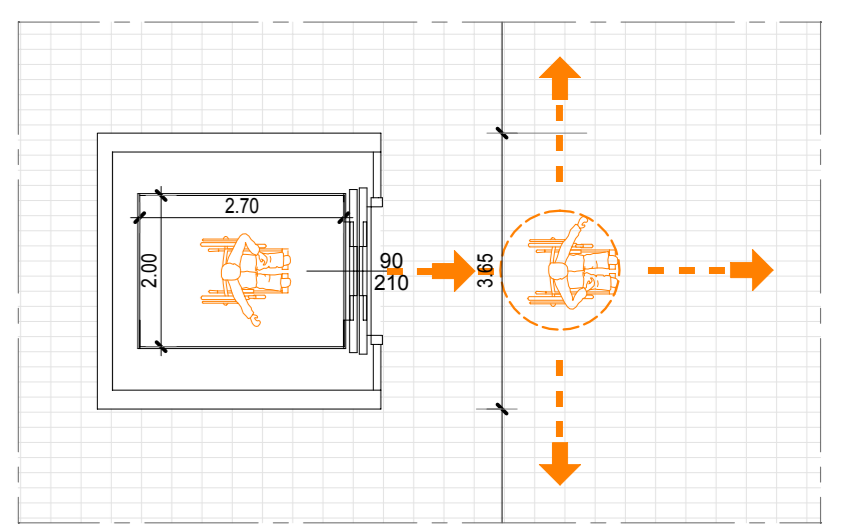
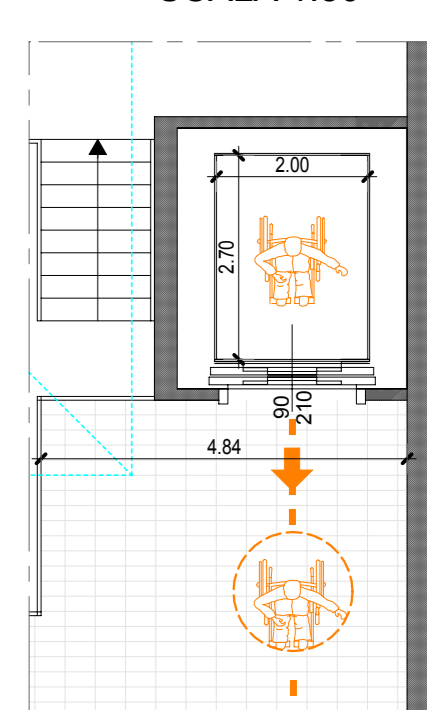


DIMOSTRAZIONE ACCESSIBILITA' AI SERVIZI (IGENICI (D.M. 236/85))
SCALA 1:50



INGRANDIMENTO AREA SERVIZI - SCALA 1:100

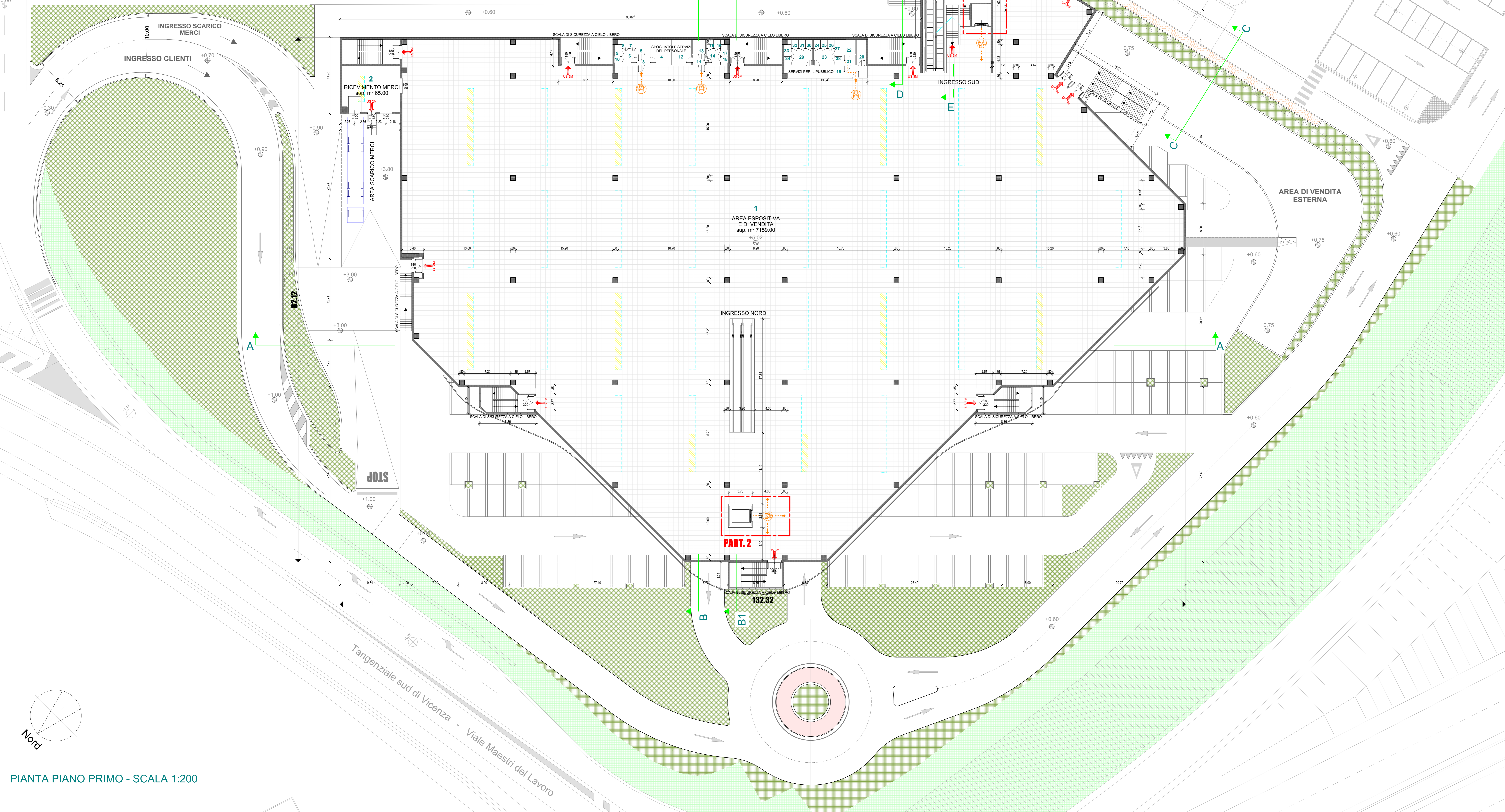
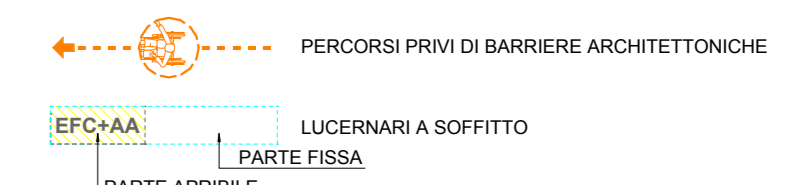
PARTICOLARE 1
DIMOSTRAZIONE ACCESSIBILITA' SBARCO ASCENSORE AL PIANO PRIMO
SCALA 1:50



PARTICOLARE 2
DIMOSTRAZIONE ACCESSIBILITA' SBARCO ASCENSORE AL PIANO PRIMO
SCALA 1:50

TABELLA RIEPILOGATIVA DEI RAPPORTI AEROLLUMINANTI

n.	destinazione	superficie m²	h	volume m³	sup. illuminante n°		rapporti		sup. servite n°		rispondi
					necessaria	effettiva	necessaria	effettiva	necessaria	effettiva	
1	AREA VENDITA	7.296,00	6,84	48.051,60	241,22	348,00	>100	72,366	120,00	>100	
2	RICEVIMENTO MERCI	65,00	6,84	431,60	2,17	4,00	>100	2,17	4,00	>100	
3	DISPENSARIO	3,26	6,24	20,34	---	---	---	---	---	---	
4	SPogliatoio	12,27	6,24	76,56	---	---	---	---	---	---	
5	WCH	4,28	6,24	26,71	---	---	---	---	---	---	
6	ANTI	5,73	6,24	35,76	---	---	---	---	---	---	
7	WC	1,45	6,24	9,05	---	---	---	---	---	---	
8	WC	1,45	6,24	9,05	---	---	---	---	---	---	
9	DOCCIA	2,07	6,24	12,82	---	---	---	---	---	---	
10	DOCCIA	1,45	6,24	9,05	---	---	---	---	---	---	
11	DISPENSARIO	3,26	6,24	20,34	---	---	---	---	---	---	
12	SPogliatoio	12,27	6,24	76,56	---	---	---	---	---	---	
13	WCH	4,28	6,24	26,71	---	---	---	---	---	---	
14	ANTI	5,73	6,24	35,76	---	---	---	---	---	---	
15	WC	1,45	6,24	9,05	---	---	---	---	---	---	
16	WC	1,45	6,24	9,05	---	---	---	---	---	---	
17	DOCCIA	2,07	6,24	12,82	---	---	---	---	---	---	
18	DOCCIA	1,45	6,24	9,05	---	---	---	---	---	---	
19	SCOPPIO	21,84	6,24	136,81	---	---	---	---	---	---	
20	NURSERY	5,81	6,24	36,25	---	---	---	---	---	---	
21	ANTI	3,26	6,24	20,34	---	---	---	---	---	---	
22	WCH	4,28	6,24	26,71	---	---	---	---	---	---	
23	ANTI	6,90	6,24	43,01	---	---	---	---	---	---	
24	WC	1,45	6,24	9,05	---	---	---	---	---	---	
25	WC	1,45	6,24	9,05	---	---	---	---	---	---	
26	WC	1,45	6,24	9,05	---	---	---	---	---	---	
27	WC	1,45	6,24	9,05	---	---	---	---	---	---	
28	WC	1,45	6,24	9,05	---	---	---	---	---	---	
29	WC	1,45	6,24	9,05	---	---	---	---	---	---	
30	WC	1,45	6,24	9,05	---	---	---	---	---	---	
31	WC	1,45	6,24	9,05	---	---	---	---	---	---	
32	WC	1,45	6,24	9,05	---	---	---	---	---	---	
33	WC	2,04	6,24	12,72	---	---	---	---	---	---	
34	WC	1,45	6,24	9,05	---	---	---	---	---	---	



PIANTA PIANO PRIMO - SCALA 1:200

ALLEGATO 40
INIZIATIVE INDUSTRIALI S.p.A.
PROROGA DETERMINAZIONE N° 812 DEL 10/10/2017
VALUTAZIONE IMPATTO AMBIENTALE EDIFICI A-E
PARCO COMMERCIALE "LE PIRAMIDI"

COMUNE DI TORRI DI QUARTESOLO

COSTRUZIONE DI UN EDIFICIO AD USO COMMERCIALE IN VIA VERCELLI DENOMINATO EDIFICIO "E"

OGGETTO:	PIANTA PIANO PRIMO	REV. N.	03
COMITENTE:		SCALA:	1:200/1:100
PROGETTISTA:		DATA:	Maggio 2019
DIR. LAVORI:		FILE:	21888.ppt2243
CALC. CA:			