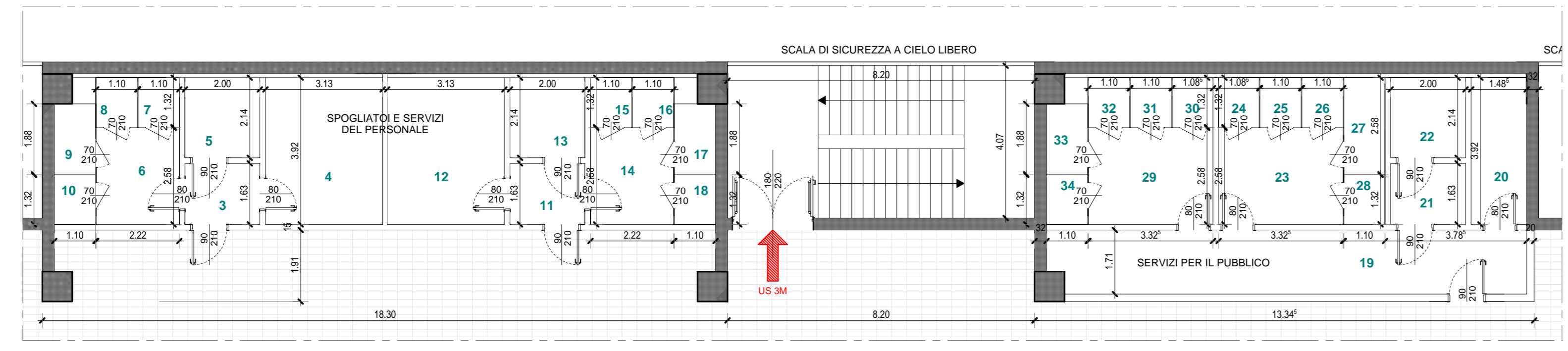
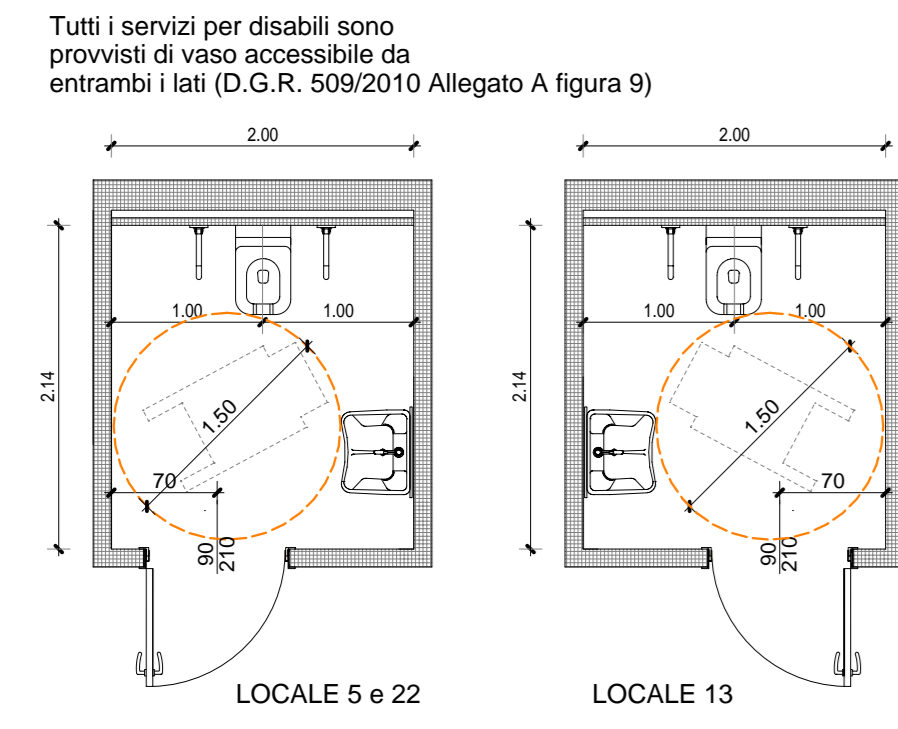


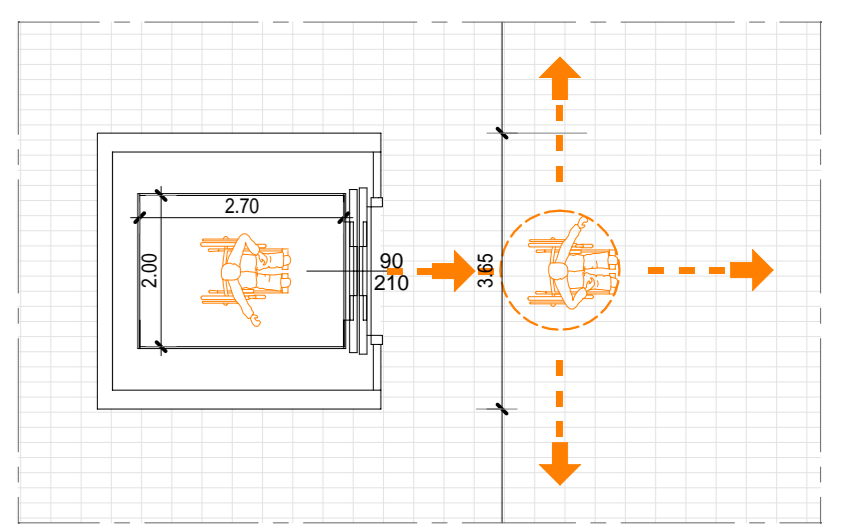
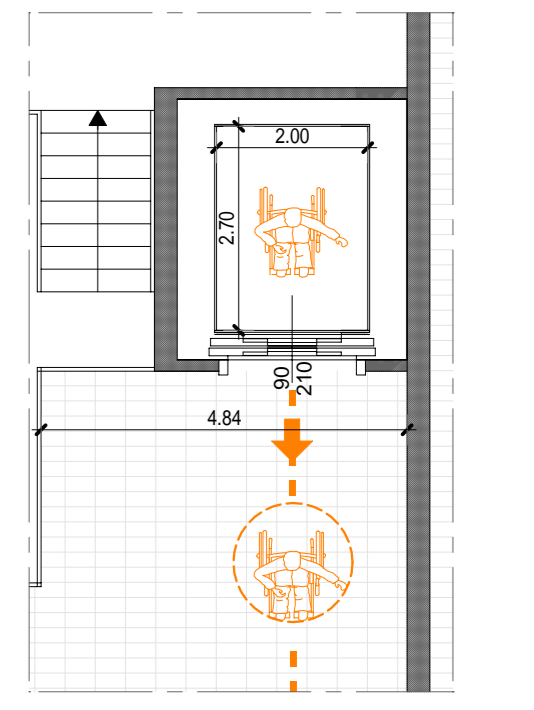
DIMOSTRAZIONE ACCESSIBILITA' AI SERVIZI IGENICI (D.M. 236/89) SCALA 1:50



INGRANDIMENTO AREA SERVIZI - SCALA 1:100

vedi tav 12

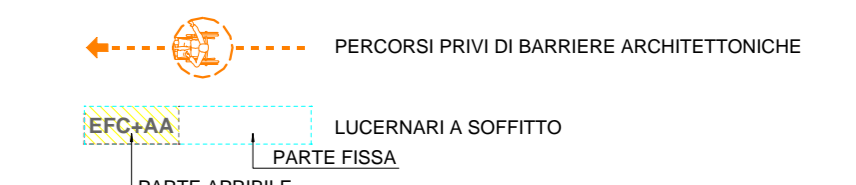
PARTICOLARE 1 DIMOSTRAZIONE ACCESSIBILITA' SBARCO ASCENSORE AL PIANO PRIMO SCALA 1:50



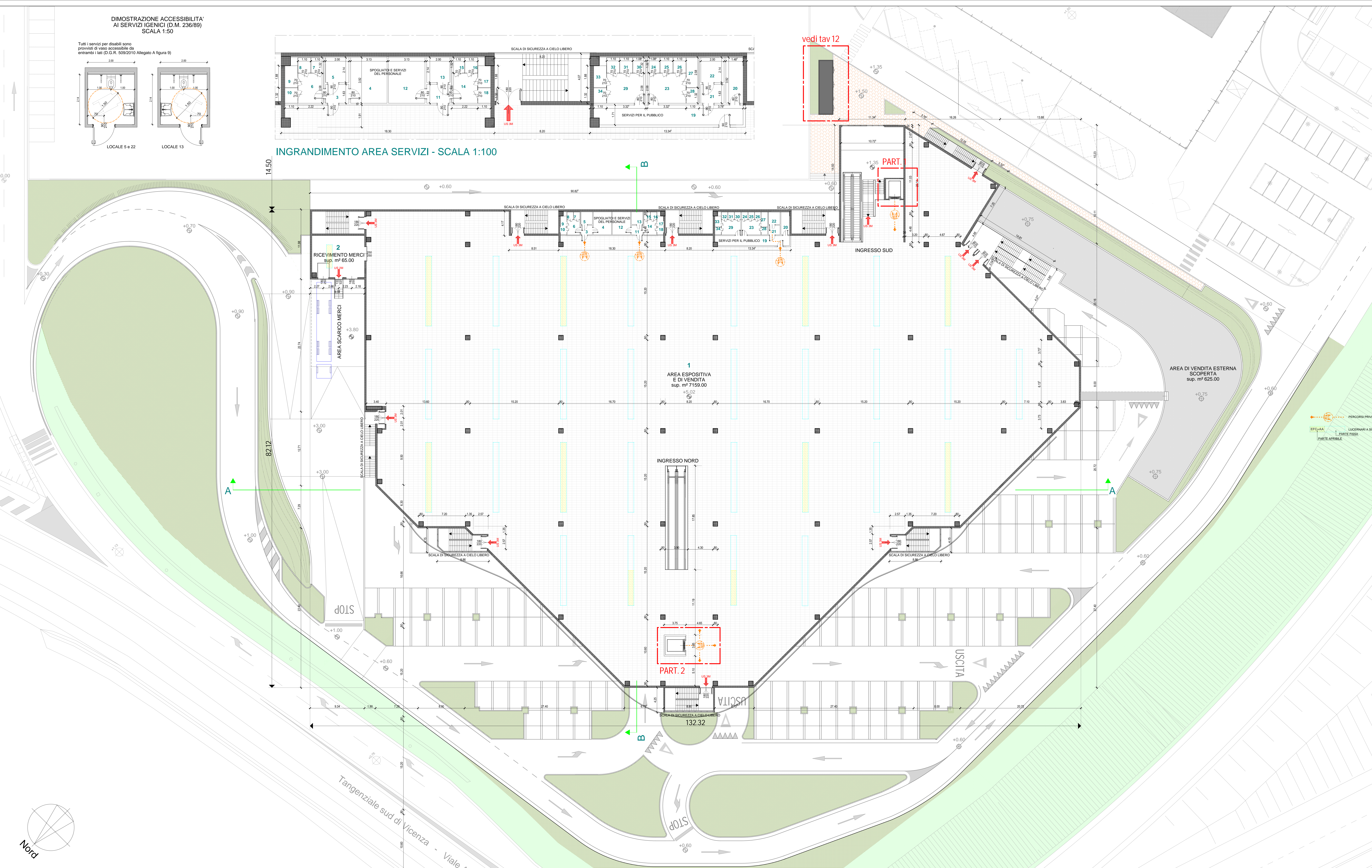
PARTICOLARE 2 DIMOSTRAZIONE ACCESSIBILITA' SBARCO ASCENSORE AL PIANO PRIMO SCALA 1:50

TABELLA RIEPILOGATIVA DEI RAPPORTI AEROLUMINANTI

n.	descrizione	superficie m²	h. m	volume m³	h. illuminazione m	h. necessaria	h. effettiva	h. necessaria / h. effettiva	h. necessaria / h. effettiva	h. necessaria / h. effettiva
1	AREA VENDITA	7.236,60	6,64	48.051,02	241,22	348,00	117,00	2,98	1,00	1,00
2	RICEVIMENTO MERCI	85,60	6,64	567,82	2,17	4,00	1,70	2,35	1,00	1,00
3	DESPERICO	3,28	6,24	20,54	---	---	---	---	---	---
4	SPOGLIATOIO	12,27	6,24	76,56	---	---	---	---	---	---
5	WC	4,28	6,24	26,71	---	---	---	---	---	---
6	ANTI	5,73	6,24	35,76	---	---	---	---	---	---
7	WC	1,45	6,24	9,05	---	---	---	---	---	---
8	WC	1,45	6,24	9,05	---	---	---	---	---	---
9	WC	1,45	6,24	9,05	---	---	---	---	---	---
10	WC	1,45	6,24	9,05	---	---	---	---	---	---
11	DESPERICO	3,28	6,24	20,54	---	---	---	---	---	---
12	SPOGLIATOIO	12,27	6,24	76,56	---	---	---	---	---	---
13	WC	4,28	6,24	26,71	---	---	---	---	---	---
14	ANTI	5,73	6,24	35,76	---	---	---	---	---	---
15	WC	1,45	6,24	9,05	---	---	---	---	---	---
16	WC	1,45	6,24	9,05	---	---	---	---	---	---
17	WC	2,07	6,24	12,92	---	---	---	---	---	---
18	WC	1,45	6,24	9,05	---	---	---	---	---	---
19	CORRIDOIO	21,94	6,24	136,91	---	---	---	---	---	---
20	MANISER	5,81	6,24	36,25	---	---	---	---	---	---
21	ANTI	3,28	6,24	20,54	---	---	---	---	---	---
22	WC	4,28	6,24	26,71	---	---	---	---	---	---
23	ANTI	6,46	6,24	40,41	---	---	---	---	---	---
24	WC	1,43	6,24	8,92	---	---	---	---	---	---
25	WC	1,43	6,24	8,92	---	---	---	---	---	---
26	WC	1,43	6,24	8,92	---	---	---	---	---	---
27	WC	2,41	6,24	15,12	---	---	---	---	---	---
28	WC	1,43	6,24	8,92	---	---	---	---	---	---
29	ANTI	8,45	6,24	52,81	---	---	---	---	---	---
30	WC	1,43	6,24	8,92	---	---	---	---	---	---
31	WC	1,43	6,24	8,92	---	---	---	---	---	---
32	WC	1,43	6,24	8,92	---	---	---	---	---	---
33	WC	2,41	6,24	15,12	---	---	---	---	---	---
34	WC	1,43	6,24	8,92	---	---	---	---	---	---



PIANTA PIANO PRIMO - SCALA 1:200



REGIONE DEL VENETO PROVINCIA DI VICENZA COMUNE DI TORRI DI QUARTESOLO

VALUTAZIONE IMPATTO AMBIENTALE EDIFICI A-E PARCO COMMERCIALE "LE PIRAMIDI"

D.Lgs. 3 Aprile 2006 n. 152 e ss.mm.ii. Legge Regionale del Veneto 18 Febbraio 2016 n. 4



ELABORATI PROGETTUALI EDIFICIO "E"

Allegato 19

OGGETTO: PIANTA PIANO PRIMO

PROFONDETA: Iniziative Industriali S.p.A.

PROGETTISTI: Arch. Gastano Ingui Arch. Davide Tombolan Tombolan & Associati

REDATTORE I.A.A.: elena barbato Ingegnere ambientale

elena barbato@elena.it elena.barbato@ingpec.it elena\_barbato@pec.it elena\_barbato@pec.it

PROVA DI ACCREDITAMENTO: 04/0004 PIANTE PER IL 05/013-04/0004

TAV. N. 03

SCALA 1:200/1:100

DATA Luglio 2017

FILE 21866.ppt/pe153