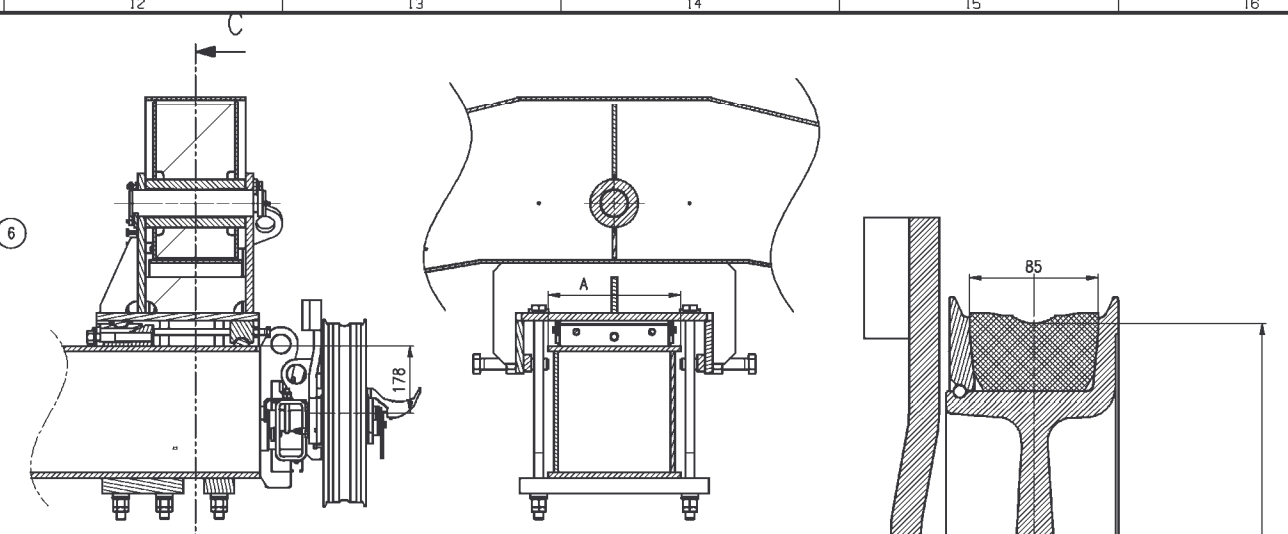
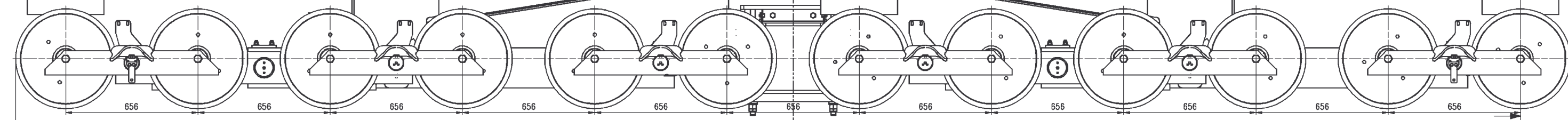
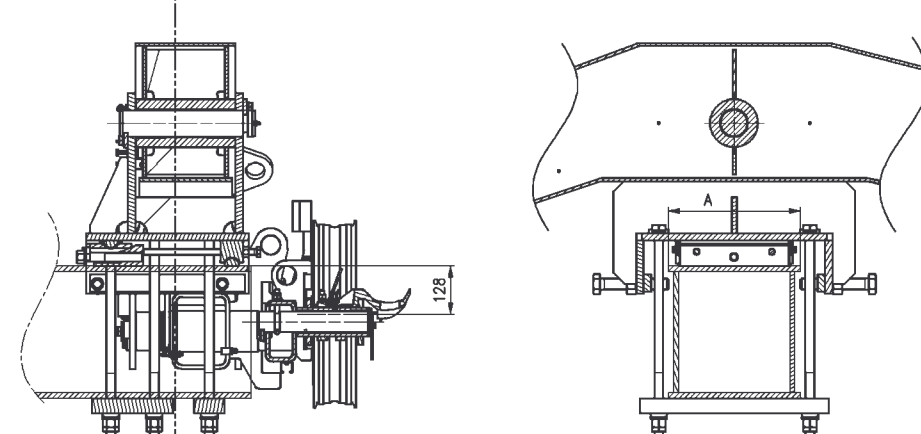
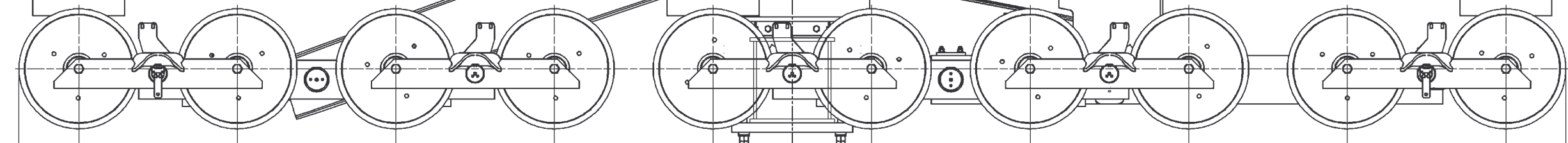


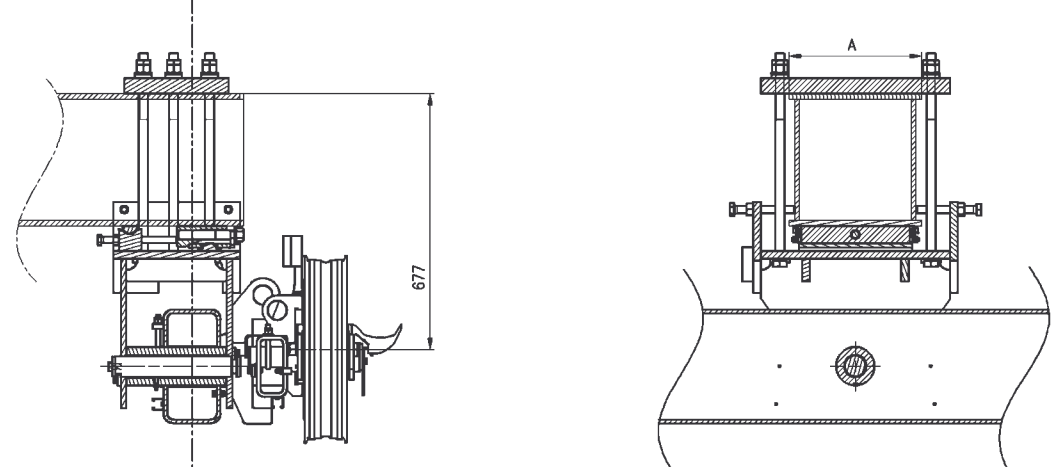
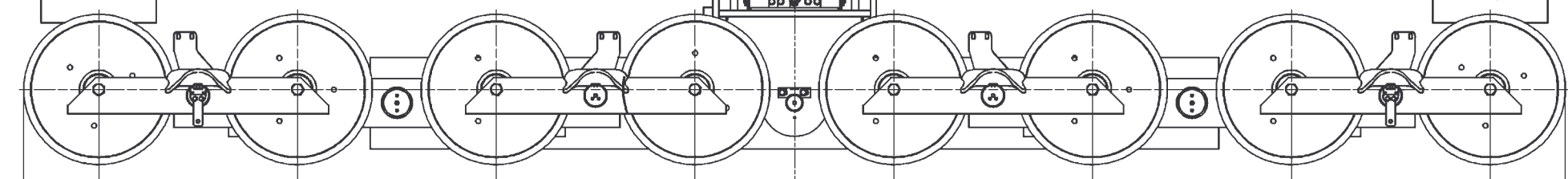
+12 sheave train



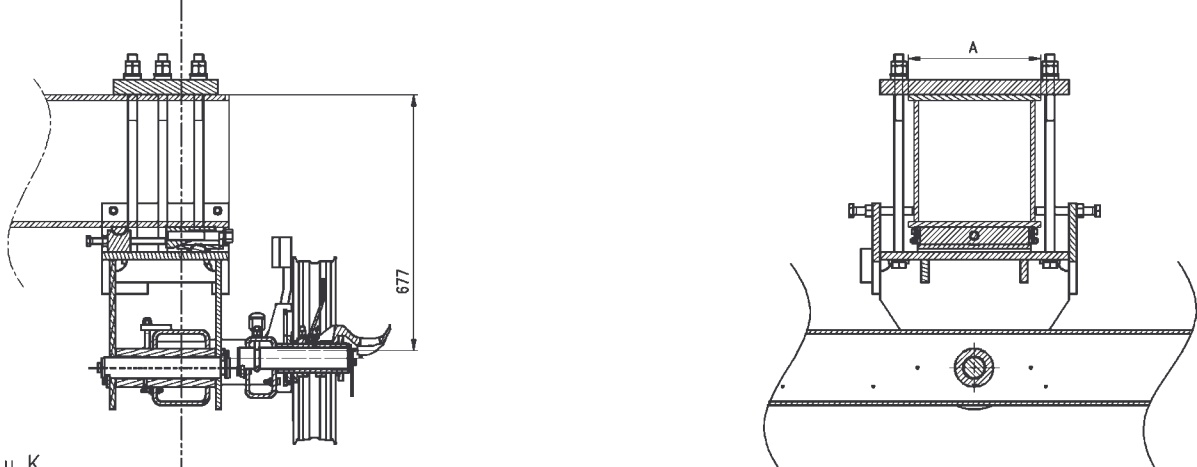
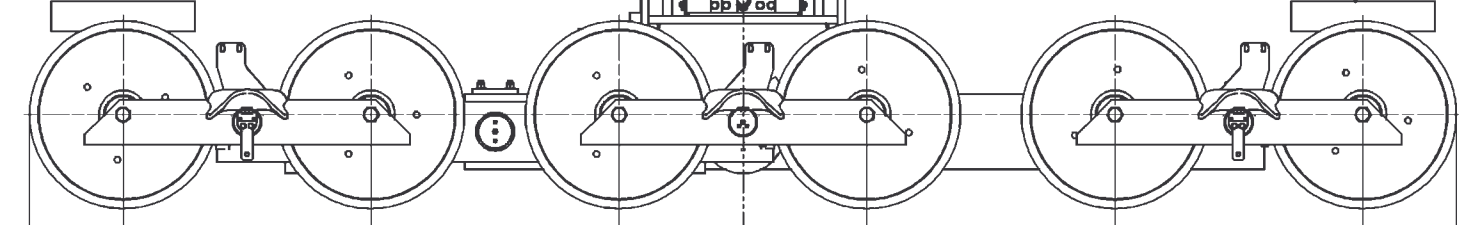
+10 sheave train



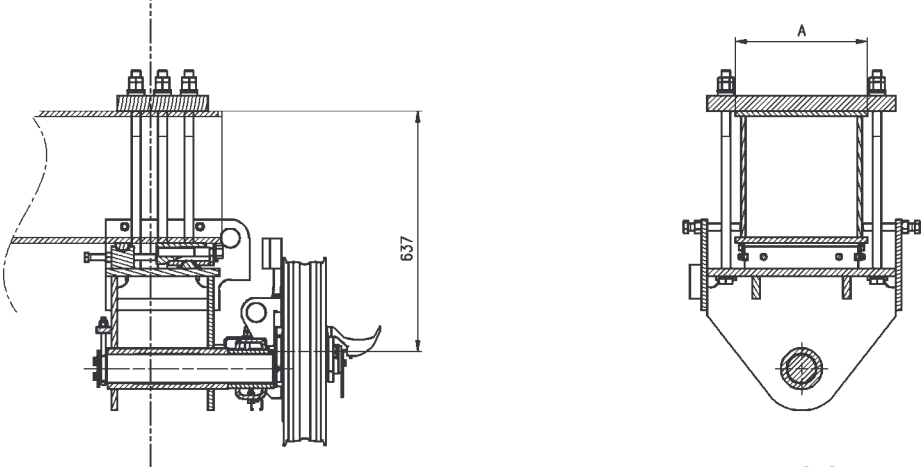
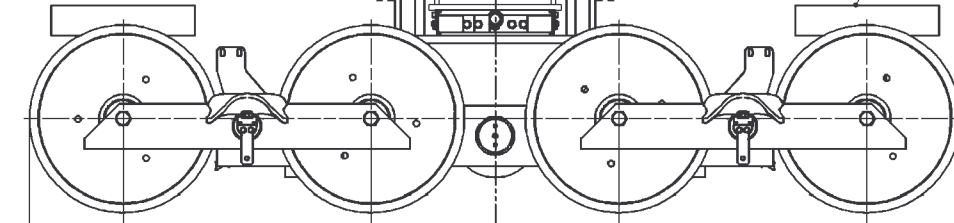
+8 sheave train



+6 sheave train



+4 sheave train



EMPLACEMENT DE L'AUTOCOLLANT D'IDENTIFICATION  
SELF-STICKING IDENTIFICATION LOCATION

BALANCIER AUTOLUB./ROLLER BATTERY AUTOLUB.				
POS	DESCRIPTION	TYPE DE BALANCIER / ROLLER BATTERY TYPE	A-350	
			Pince LPA / Grip LPA golets standard / standard sheave	golets anti givre / anti icing sheave
10	BALANCIER ET CAVALIER / ROLLER BATTERY AND SADDLE	+4 4600	50006441-01	50006441-02
9	BALANCIER ET CAVALIER / ROLLER BATTERY AND SADDLE	+6 4600 (DROITE/RIGHT)	50006433-01	50006433-02
8	BALANCIER ET CAVALIER / ROLLER BATTERY AND SADDLE	+6 4600 (GAUCHE/LEFT)	50006565-01	50006565-02
7	BALANCIER ET CAVALIER / ROLLER BATTERY AND SADDLE	+10 4600 (DROITE/RIGHT)	50006439-01	50006439-02
6	BALANCIER ET CAVALIER / ROLLER BATTERY AND SADDLE	+10 4600 (GAUCHE/LEFT)	50006553-01	50006553-02
5	BALANCIER ET CAVALIER / ROLLER BATTERY AND SADDLE	+12 4600	50006454-01	50006454-02

POS	DESCRIPTION	TYPE DE BALANCIER / ROLLER BATTERY TYPE	A-350 rattrapeur /cable catcher 51012460		A-450		A-350	
			Pince LPA / Grip LPA		Pince LPA / Grip LPA		Pince Unigrip / Unigrip Grip	
			golets standard / standard sheave	golets anti givre / anti icing sheave	golets standard / standard sheave	golets anti givre / anti icing sheave	golets standard / standard sheave	golets anti givre / anti icing sheave
5	BALANCIER ET CAVALIER / ROLLER BATTERY AND SADDLE	+4 4600	50007332-01	50007332-02	50001652-01	50001652-02	50001657-01	50001657-02
4	BALANCIER ET CAVALIER / ROLLER BATTERY AND SADDLE	+6 4600	50007333-01	50007333-02	50001653-01	50001653-02	50001658-01	50001658-02
3	BALANCIER ET CAVALIER / ROLLER BATTERY AND SADDLE	+8 4600 FUNITEL			50001719			
2	BALANCIER ET CAVALIER / ROLLER BATTERY AND SADDLE	+10 4600	50007334-01	50007334-02	50001654-01	50001654-02	50001659-01	50001659-02
1	BALANCIER ET CAVALIER / ROLLER BATTERY AND SADDLE	+12 4600 FUNITEL	50007335-01	50007335-02	50001655-01	50001655-02	50001660-01	50001660-02
					50001765			
			50007337-01	50007337-02	50001656-01	50001656-02	50001661-01	50001661-02
							50001955-01	50001955-02

Balançiers pour pinces et suspentes respectant les dimensions et angles ci dessous:  
Roller battery for grip and hangers witch follow the dimension below:

Ech. 1:10

**R/06 Progetto seggiovia esaposto "Rifugio Verenetta - Monte Verena" (1656.50 - 2005.70)**

**R/06-B ELEMENTI COSTITUTIVI IMPIANTO**

**B2 - RULLIERE DI APPOGGIO**

Progettato e realizzato per l'installazione di funivie  
Engineering and consulting

A titolo esemplificativo vengono allegati i disegni di alcune componenti tipizzate di una ditta costruttrice di impianti a fune. Le soluzioni proposte sono del tutto indicative e possono subire variazioni in fase esecutiva.